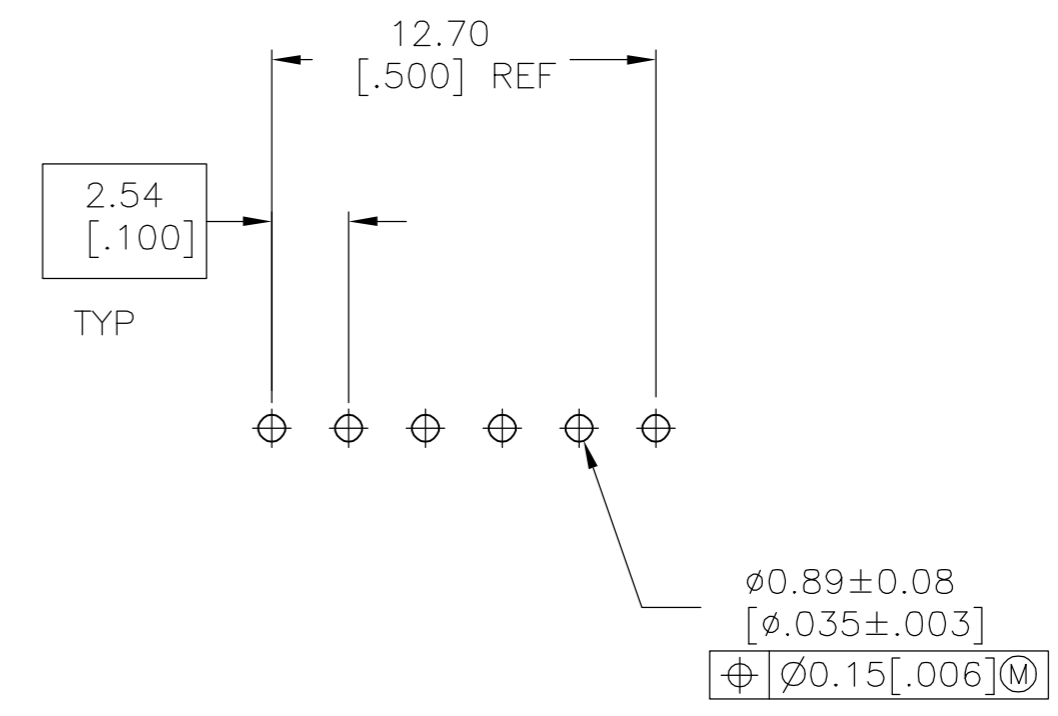
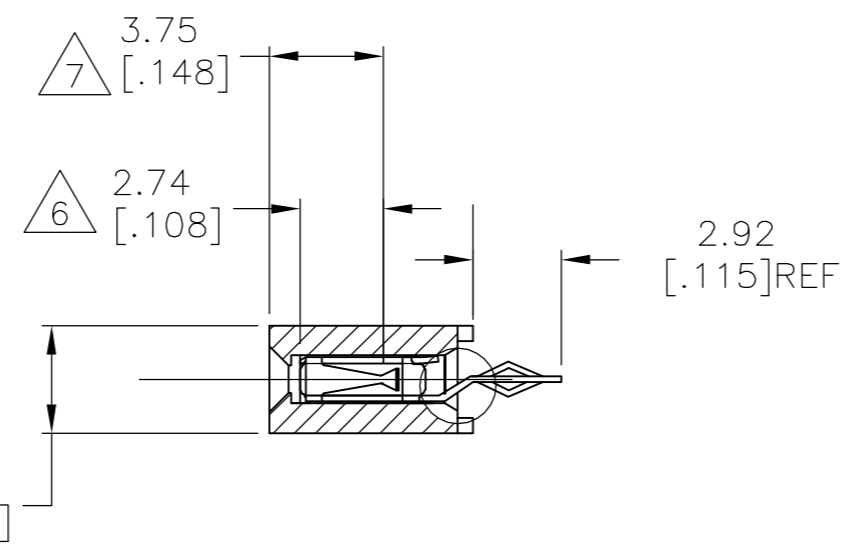
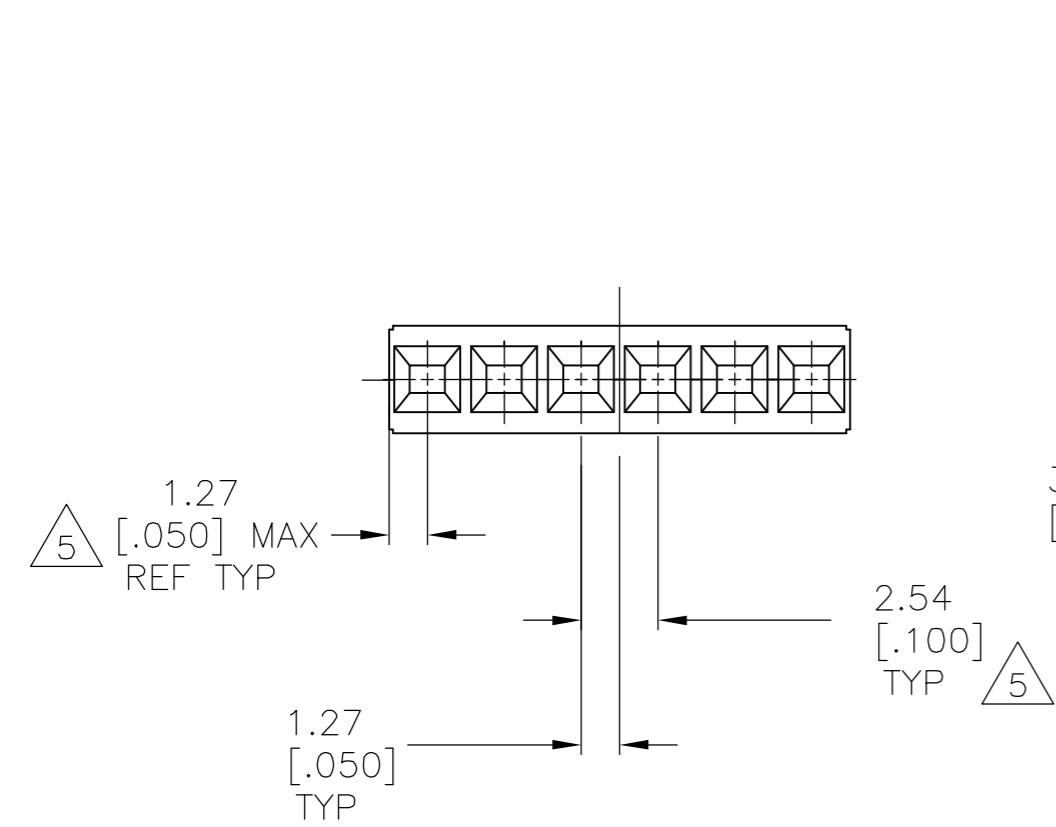
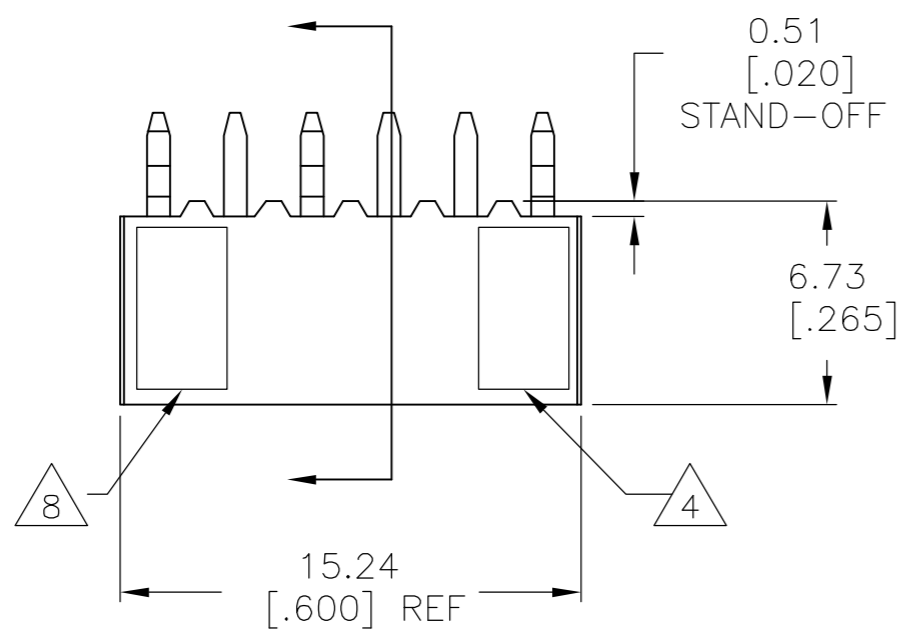


THIS DRAWING IS UNPUBLISHED. RELEASED FOR PUBLICATION
 © COPYRIGHT BY TYCO ELECTRONICS CORPORATION. ALL RIGHTS RESERVED.

LOC	DIST	REVISIONS			
P	LTR	DESCRIPTION	DATE	DWN	APVD
AD	00	F	REV PER 0G3C-0830-04	04MAY05	MB JO



RECOMMENDED PC BOARD LAYOUT

- 1 HOUSING: FLAME-RETARDENT, GLASS FILLED POLYESTER, COLOR; BLACK
- 2 CONTACTS: PHOSPHOR BRONZE
- 3 CONTACT DUPLEX PLATED: 0.000762[.000030] GOLD IN CONTACT AREA 0.00381-0.00762[.000150-.000300] MATTE TIN-LEAD ON SOLDER LEADS ALL OVER 0.00127[.000050] MIN NICKEL.
- 4 TYCO LOGO AND CSA LOGO ARE MOLDED INTO HOUSING, THIS LOCATION.
- 5 THESE DIMENSION PERTAIN TO CAVITY CENTERLINES ONLY, NOT TO CONTACT LOCATIONS.
- 6 POINT-OF-MEASUREMENT DIMENSION FOR PLATING THICKNESS. (INSIDE CONTACT BEAMS)
- 7 POINT-OF-CONTACT DIMENSION.
- 8 DATECODE MARKED IN APPROXIMATE LOCATION SHOWN.
- 9 CONTACT DUPLEX PLATED: 0.000762[.000030] GOLD IN CONTACT AREA 0.00381-0.00762[.000150-.000300] MATTE TIN ON SOLDER LEADS ALL OVER 0.00127[.000050] MIN NICKEL.
- 10 ROHS 2002/95/EC COMPLIANT.
- 11. PART NUMBER MARKING NOT REQUIRED ON THIS PART.

9	1,4,6	6	10	5-535591-1
3	1,4,6	6		535591-1
FINISH	POSN NO WITH BOARD RETENTION	NO OF POSN	PART NUMBER	

THIS DRAWING IS A CONTROLLED DOCUMENT.		DWN	L. BRINER	8/6/96	Tyco Electronics Corporation Harrisburg, Pa 17105-3608
DIMENSIONS: mm [INCHES]		CHK	A.GABANY	8/6/96	
TOLERANCES UNLESS OTHERWISE SPECIFIED:		APVD	A.GABANY	8/6/96	NAME
0 PLC ± -		PRODUCT SPEC	RECPT. ASSY., MOD IV, SINGLE ROW, .100CL, VERT. MOUNT, CLOSED ENTRY, SHORT PT. OF CONTACT/ BD RETENTION FEATURE		
1 PLC ± -		APPLICATION SPEC	SIZE		
2 PLC ± 0.13[.005]		WEIGHT	CAGE CODE		
3 PLC ± -			DRAWING NO		
4 PLC ± -			RESTRICTED TO		
ANGLES ± -			A2 00779 C=535591		
FINISH		CUSTOMER DRAWING			
1 2		SCALE		SHEET 1 OF 1	
3 9		4:1		REV F	

535591